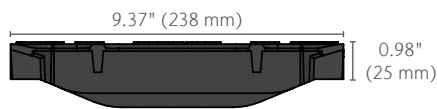
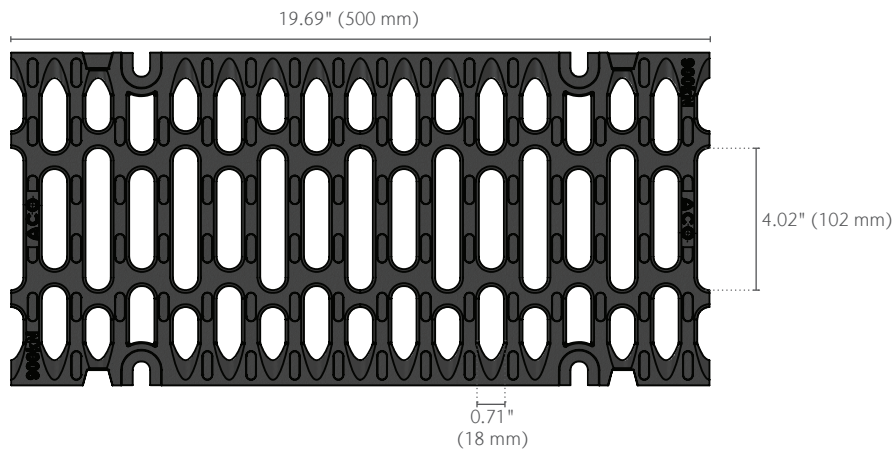


S200K 4-Bolt Ductile Iron Grate Spec Sheet



S200K 4-Bolt Ductile Iron Grate

part no. 99591



Product Name

S200K 4-Bolt Ductile Iron Grate

Part No.
99591

Length
in (mm)
19.69 (500)

Width
in (mm)
9.37 (238)

Weight
lbs
26.5

S200K 4-Bolt Ductile Iron Grate Spec Sheet



4-Bolt Locking Mechanism



ACO offers a 4-bolt locking solution for applications requiring more security.

The four threaded stainless steel inserts in the PowerDrain channel body allow a 4-bolt grate to be bolted into the channel for ultimate stiffness and security.

Tamper resistant bolts can also be used.

Specification Summary

General

The surface drainage system shall be ACO PowerDrain or SlabDrain, complete with ACO iron grate with 4-bolt locking as manufactured by ACO, Inc. or similar approved.

Grates

Grate is ductile iron. Ductile iron ASTM A536- Grade 80-55-06. After removal of the grates there shall be uninterrupted access to the trench to aid maintenance. Grates can be used for PowerDrain or SlabDrain.

Bolts

m10-1.5 x 30 Hex Flange Bolts 18-8 Stainless Steel to be manufactured in the USA. Pull-Out test results available upon request.

Installation

The trench drain system and grates shall be installed in accordance with the manufacturer's installation instructions and recommendations.

Materials

The covers shall be manufactured from ductile iron and have minimum properties as follows:

- Ductile iron to ASTM A536 - Grade 80-55-06.
- Intake area of 459.98 cm² per ½ meter of grate

The overall width of 9.37" (238 mm) and overall length of 19.69" (500 mm). Slots measure at a maximum of 0.791" (18 mm).



Australian Standard AS 3996 - 2006 Clause 3.3.6:
max slot length dependent on slot width for grates
that are deemed Bicycle Tire Penetration Resistant.



200,000 lb Proof Load

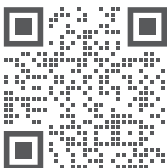


EN1433 Load Class F
202,328 lbs – 4,177 psi

ACO, Inc.

© January 2026 ACO, Inc.

All reasonable care has been taken in compiling the information in this document. All recommendations and suggestions on the use of ACO products are made without guarantee since the conditions of use are beyond the control of the company. It is the customer's responsibility to ensure that each product is fit for its intended purpose and that the actual conditions of use are suitable. ACO, Inc. reserves the right to change products and specifications without notice.



info@acousa.com
www.acousa.com

